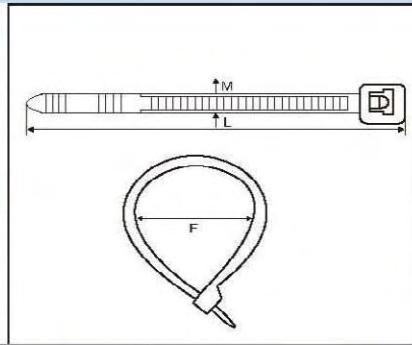


AZTOM

www.aztom.net

TY RAPS CABLE TIES



TY RAPS CABLE TIES

AZTOM CABLE TIES 2.5 x 100 W



- SIZE : LENGHT 100 MM (4 INCH) WIDTH : 2.5 MM (0,10 INCH)
- MAXIMUN BUNDLE DIA. : 22 MM (0,87 INCH)
- MIN. LOOP TENSILE STRENGHT 8,1 KG (18 LBS)
- MATERIAL : NYLON 66
- 94V-22 CERTIFICATE BY UL
- HEAT RESISTANT
- ACID & EROSION CONTROL
- INSULATED WELL AND NOT APT TO AGE
- ROHS
- COLOR WHITE
- PACK QUANTITY : 100 PIECES

AZTOM CABLE TIES 3.6 x 150 W



- SIZE : LENGHT 150 MM (6 INCH) WIDTH : 3.6 MM (0,14 INCH)
- MAXIMUN BUNDLE DIA. : 35 MM (1,38 INCH)
- MIN. LOOP TENSILE STRENGHT 18 KG (40 LBS)
- MATERIAL : NYLON 66
- 94V-22 CERTIFICATE BY UL
- HEAT RESISTANT
- ACID & EROSION CONTROL
- INSULATED WELL AND NOT APT TO AGE
- ROHS
- COLOR WHITE
- PACK QUANTITY : 100 PIECES

AZTOM CABLE TIES 4.8 x 200 W



- SIZE : LENGHT 200 MM (8 INCH) WIDTH : 4.8 MM (0,19 INCH)
- MAXIMUN BUNDLE DIA. : 50 MM (1,97 INCH)
- MIN. LOOP TENSILE STRENGHT 22 KG (50 LBS)
- MATERIAL : NYLON 66
- 94V-22 CERTIFICATE BY UL
- HEAT RESISTANT
- ACID & EROSION CONTROL
- INSULATED WELL AND NOT APT TO AGE
- ROHS
- COLOR WHITE
- PACK QUANTITY : 100 PIECES

AZTOM CABLE TIES 4.8 x 300 W



- SIZE : LENGHT 300 MM (12 INCH) WIDTH : 4.8 MM (0,19 INCH)
- MAXIMUN BUNDLE DIA. : 76 MM (2,99 INCH)
- MIN. LOOP TENSILE STRENGHT 22 KG (50 LBS)
- MATERIAL : NYLON 66
- 94V-22 CERTIFICATE BY UL
- HEAT RESISTANT
- ACID & EROSION CONTROL
- INSULATED WELL AND NOT APT TO AGE
- ROHS
- COLOR WHITE
- PACK QUANTITY : 100 PIECES

AZTOM CABLE TIES 4.8 x 400 W



- SIZE : LENGHT 400 MM (16 INCH) WIDTH : 4.8 MM (0,19 INCH)
- MAXIMUN BUNDLE DIA. : 108 MM (4,26 INCH)
- MIN. LOOP TENSILE STRENGHT 22 KG (50 LBS)
- MATERIAL : NYLON 66
- 94V-22 CERTIFICATE BY UL
- HEAT RESISTANT
- ACID & EROSION CONTROL
- INSULATED WELL AND NOT APT TO AGE
- ROHS
- COLOR WHITE
- PACK QUANTITY : 100 PIECES

AZTOM CABLE TIES 2.5 x 100 B



- SIZE : LENGHT 100 MM (4 INCH) WIDTH : 2.5 MM (0,10 INCH)
- MAXIMUN BUNDLE DIA. : 22 MM (0,87 INCH)
- MIN. LOOP TENSILE STRENGHT 8,1 KG (18 LBS)
- MATERIAL : NYLON 66
- 94V-22 CERTIFICATE BY UL
- HEAT RESISTANT
- ACID & EROSION CONTROL
- INSULATED WELL AND NOT APT TO AGE
- ROHS
- COLOR BLACK
- PACK QUANTITY : 100 PIECES

AZTOM CABLE TIES 3.6 x 150 B



- SIZE : LENGHT 150 MM (6 INCH) WIDTH : 3.6 MM (0,14 INCH)
- MAXIMUN BUNDLE DIA. : 35 MM (1,38 INCH)
- MIN. LOOP TENSILE STRENGHT 18 KG (40 LBS)
- MATERIAL : NYLON 66
- 94V-22 CERTIFICATE BY UL
- HEAT RESISTANT
- ACID & EROSION CONTROL
- INSULATED WELL AND NOT APT TO AGE
- ROHS
- COLOR BLACK
- PACK QUANTITY : 100 PIECES

AZTOM CABLE TIES 4.8 x 200 B



- SIZE : LENGHT 200 MM (8 INCH) WIDTH : 4.8 MM (0,19 INCH)
- MAXIMUN BUNDLE DIA. : 50 MM (1,97 INCH)
- MIN. LOOP TENSILE STRENGHT 22 KG (50 LBS)
- MATERIAL : NYLON 66
- 94V-22 CERTIFICATE BY UL
- HEAT RESISTANT
- ACID & EROSION CONTROL
- INSULATED WELL AND NOT APT TO AGE
- ROHS
- COLOR BLACK
- PACK QUANTITY : 100 PIECES

AZTOM CABLE TIES 4.8 x 300 B



- SIZE : LENGHT 300 MM (12 INCH) WIDTH : 4.8 MM (0,19 INCH)
- MAXIMUN BUNDLE DIA. : 76 MM (2,99 INCH)
- MIN. LOOP TENSILE STRENGHT 22 KG (50 LBS)
- MATERIAL : NYLON 66
- 94V-22 CERTIFICATE BY UL
- HEAT RESISTANT
- ACID & EROSION CONTROL
- INSULATED WELL AND NOT APT TO AGE
- ROHS
- COLOR BLACK
- PACK QUANTITY : 100 PIECES

AZTOM CABLE TIES 4.8 x 400 B



- ✓ - SIZE : LENGHT 400 MM (16 INCH) WIDTH : 4.8 MM (0,19 INCH)
- ✓ - MAXIMUN BUNDLE DIA. : 108 MM (4,26 INCH)
- ✓ - MIN. LOOP TENSILE STRENGHT 22 KG (50 LBS)
- ✓ - MATERIAL : NYLON 66
- ✓ - 94V-22 CERTIFICATE BY UL
- ✓ - HEAT RESISTANT
- ✓ - ACID & EROSION CONTROL
- ✓ - INSULATED WELL AND NOT APT TO AGE
- ✓ - ROHS
- ✓ - COLOR BLACK
- ✓ - PACK QUANTITY : 100 PIECES

AZTOM MORE TY RAPS

AZTOM CABLE TIES COLORS : WHITE - BLACK .

OTHER COLORS AND SIZES ARE AVAILABLE AS REQUESTED.

ITEM CODE	LENGHT L		WIDTH MM	MAX. BUNDLE DIA. MM	MIN. LOOP TENSILE STRENGHT	
	INCH	MM			LBS	KGS
3 x 60	2.3/8"	60	2.5	11	18	8
3 x 80	3.3/16"	80	2.5	16	18	8
3 x 100	4"	100	2.5	22	18	8
3 x 120	4.3/4"	120	2.5	28	18	8
3 x 150	6"	150	2.5	35	18	8
3 x 160	6.1/4"	160	2.5	40	18	8
3 x 200	8"	200	2.5	53	18	8
4 x 100	4"	100	3.6	22	40	18
4 x 120	4.3/4"	120	3.6	30	40	18
4 x 150	6"	150	3.6	35	40	18
4 x 180	7"	180	3.6	44	40	18
4 x 200	8"	200	3.6	53	40	18
4 x 250	10 "	250	3.6	65	40	18
4 x 300	11.5/8 "	300	3.6	80	40	18
4 x 370	14.1/2"	370	3.6	102	40	18
5 x 100	4 "	100	3.6	22	40	18
5 x 120	4.3/4"	120	4.6	26	50	22
5 x 160	6.1/4"	160	4.8	39	50	22
5 x 180	7"	180	4.6	46	50	22
5 x 200	8"	200	4.8	53	50	22
5 x 250	10"	250	4.8	65	50	22
5 x 280	11"	280	4.8	70	50	22
5 x 300	11.5/8"	300	4.8	82	50	22
5 x 350	13.3/4"	350	4.8	90	50	22
5 x 380	15"	380	4.8	105	50	22
5 x 400	15.3/4"	400	4.8	108	50	22
5 x 450	17.3/4"	450	4.8	130	50	22
5 x 500	19.11/16"	500	4.8	150	50	22
5 x 550	21.1/16	550	4.8	160	50	22
5 x 600	23.5/8"	600	4.8	170	50	22
5 x 650	25.9/16"	650	4.8	190	50	22
5 x 720	27.1/2"	720	4.8	205	50	22
7 x 150	6"	150	7.0	33	85	38
7 x 200	8"	200	7.0	50	85	38
7 x 250	10"	250	7.0	65	85	38
7 x 300	11.5/8"	300	7.0	80	85	38
7 x 350	13.3/4"	350	7.0	90	85	38
7 x 400	15.3/4"	400	7.0	105	85	38



OTHER COLORS AND SIZES ARE AVAILABLE AS REQUESTED.



ITEM CODE	LENGHT L		WIDTH MM	MAX. BUNDLE DIA. MM	MIN. LOOP TENSILE STRENGHT	
	INCH	MM			LBS	KGS
7 x 450	17.3/4 "	450	6.8	125	85	38
7 x 500	19.11/16"	500	6.8	145	85	38
8 x 200	8"	200	7.6	50	120	55
8 x 250	10"	250	7.6	63	120	55
8 x 300	11.5/8"	300	7.6	80	120	55
8 x 350	13.3/4"	350	7.6	90	120	55
8 x 380	14.1/4"	380	7.6	98	120	55
8 x 400	15.3/4"	400	7.6	105	120	55
8 x 450	17.3/4"	450	7.6	125	120	55
8 x 500	19.11/16"	500	7.6	145	120	55
8 x 550	21.1/16"	550	7.6	160	120	55
8 x 600	23.5/8"	600	7.6	170	120	55
8 x 650	25.9/16"	650	7.6	190	120	55
8 x 700	27.1/2"	700	7.6	205	120	55
8 x 760	30"	760	7.6	225	120	55
10 x 270	11"	270	9	70	175	80
10 x 400	15.3/4"	400	9	108	175	80
10 x 450	17.3/4"	450	9	120	175	80
10 x 500	20.3/4"	500	9	150	175	80
10 x 550	21.1/16"	550	9	160	175	80
10 x 600	23.5/8"	600	9	170	175	80
10 x 650	25.9/16"	650	9	190	175	80
10 x 720	27.1/2"	720	9	205	175	80
10 x 760	30"	760	9	225	175	80
10 x 800	32"	800	9	243	175	80
10 x 900	36.1/4"	900	9	265	175	80
10 x 1000	40.1/6"	1000	9	295	175	80
10 x 1200	48"	1200	9	340	175	80
10 x 1500	61"	1500	9	470	175	80
12 x 300	11.5/8"	300	12	105	250	114
12 x 500	20.3/4"	500	12	145	250	114
12 x 550	21.1/16"	550	12	160	250	114
12 x 600	23.5/8"	600	12	170	250	114
12 x 650	25.9/16"	650	12	190	250	114
12 x 720	27.1/2"	720	12	205	250	114
12 x 760	30"	760	12	225	250	114
12 x 800	32"	800	12	243	250	114
12 x 900	36.1/4"	900	12	265	250	114